

PURSOS® SHP LED Flood Light Datasheet



PURSOS® SHP LED Flood Light is the extension version of PURSOS® HP LED Flood Light. With special optical design in slim, rugged aluminium alloy housing, PURSOS® SHP LED Flood Light is well suited to use in airports, harbours, sport centers and skyscrapers for forward lighting applications such as high mast lightings, flood lightings and façade lightings. Highly durable construction and remarkably long lifetime of outdoor rated PURSOS® SHP LED Flood Light offers highly consistent, high CRI white light and is the ideal replacement for traditional 700W to 2000W HID flood lights with excellent energy savings.

Benefits

Special optical design

- Ultra-narrow, narrow and medium beam optics for different kinds of façade and flood lighting applications

IP67 protection and robust design

- Test proven, robust mechanical design for extreme outdoor environment
- Corrosion-resistant coating resist up to 1000hrs of salt spray
- Pass 100,000 times mechanical vibration testing
- Provide up to 20KV surge protection

Light weight and compact

- The brightest flood light in its class, dimensions comparable to traditional flood light.

Long lifetime

- 50,000 hours lifetime saving maintenance cost

Applications

- High mast lightings
- Façade and building illuminations
- Area lightings

PURSOS® SHP LED Flood Light

Technical Data

Optical Specifications

		PURSOS SHP S	PURSOS SHP M	PURSOS SHP L
Luminous Flux	3000K	33000 lm	58500 lm	86000 lm
	4000K	35000 lm	61500 lm	91000 lm
	5700K	38000 lm	67000 lm	100000 lm
Efficacy	3000K	100 lm/W	90 lm/W	90 lm/W
	4000K	105 lm/W	95 lm/W	95 lm/W
	5700K	115 lm/W	105 lm/W	105 lm/W
CCT		3000K, 4000K, 5700K		
CRI (Ra)	3000K	>80		
	4000K			
	5700K			
SDCM		5		
Beam Angle		8° , 25° , 60°		

Electrical and Mechanical Specifications

Input Voltage	220-240V AC 50/60Hz			
Power Consumption	330W	650W	960W	
Power Factor	>0.9			
Total Harmonic Distortion	<15%			
ESD Protection	Contact 4KV, air 8KV			
Surge Protection	Line-to-line 3KV/*5KV/*10KV, line-to-ground 6KV/*10KV/*20KV			
Dimensions	Length	685mm	685mm	685mm
	Width	435mm	627mm	952mm
	Height	322mm	330mm	378mm
Weight	Total	20kg	27kg	37kg
	PSU	4.3kg	6.2kg	8.1kg
Cover Lens	Tempered glass cover			
Housing	Die-casting aluminium housing, RAL9006			

System Specifications

Power	AC line
Dimmable	ON/OFF, *1-10V dimming
Mounting Type	Bracket mounting
Operating Temperature	-40°C to +50°C
Storage Temperature	-45°C to +85°C
Environment	Outdoor (IP67, IK08)
Lumen Maintenance	L70 @35°C - 50,000hrs
Safety Approval	Electrical Protection Class I, CB, CE, CQC, Photobiological safety, RoHS

Items with * are non-standard items and are available on request. Specification is subject to change due to continuous improvement.

Due to the special conditions of manufacturing process of LED, the typical data of technical parameters can only reflect statistical figures and do not necessarily correspond to the actual parameters of each single product which could differ from typical data.

Exceeding maximum ratings for operation voltage will cause hazardous overload and will likely destroy the LED module.

Exceeding maximum ratings for operation and storage temperature will reduce expected life time or destroy the LED module.

09/16 V1.0 · Specifications are subject to change without notice. Errors and omission excepted, always make sure to use the most recent release.

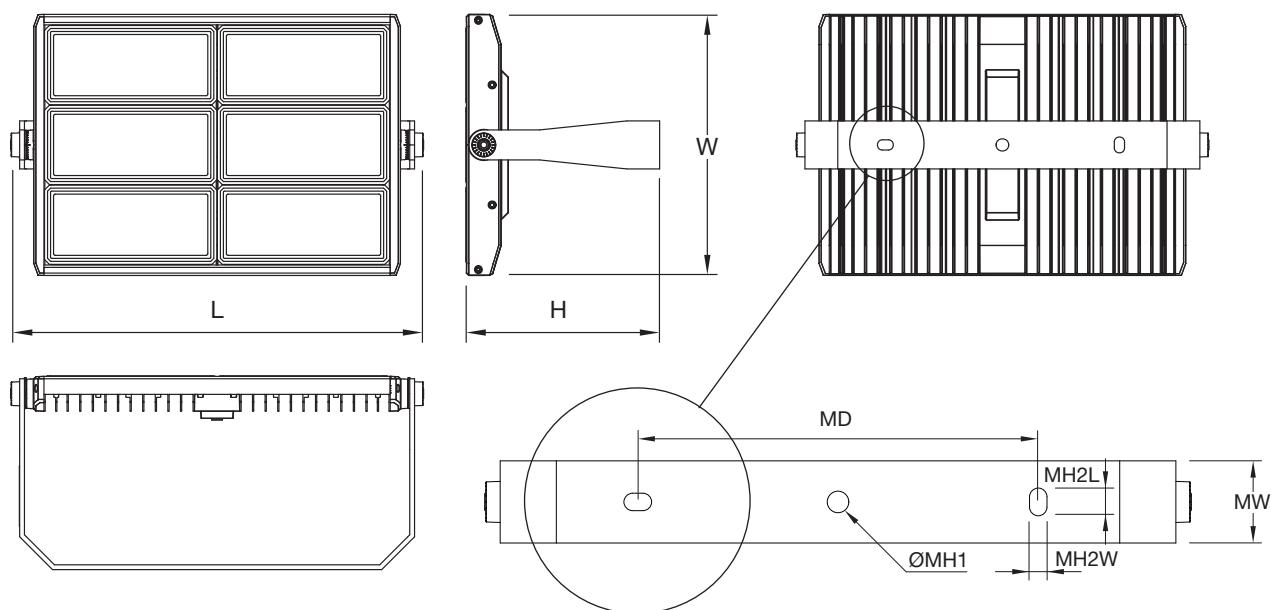
©2016 OSRAM GmbH · All rights reserved · Internet www.lightingsolutions.osram.com/asia

2 of 9

PURSOS® SHP LED Flood Light

Dimensions

PURSOS SHP S 330W



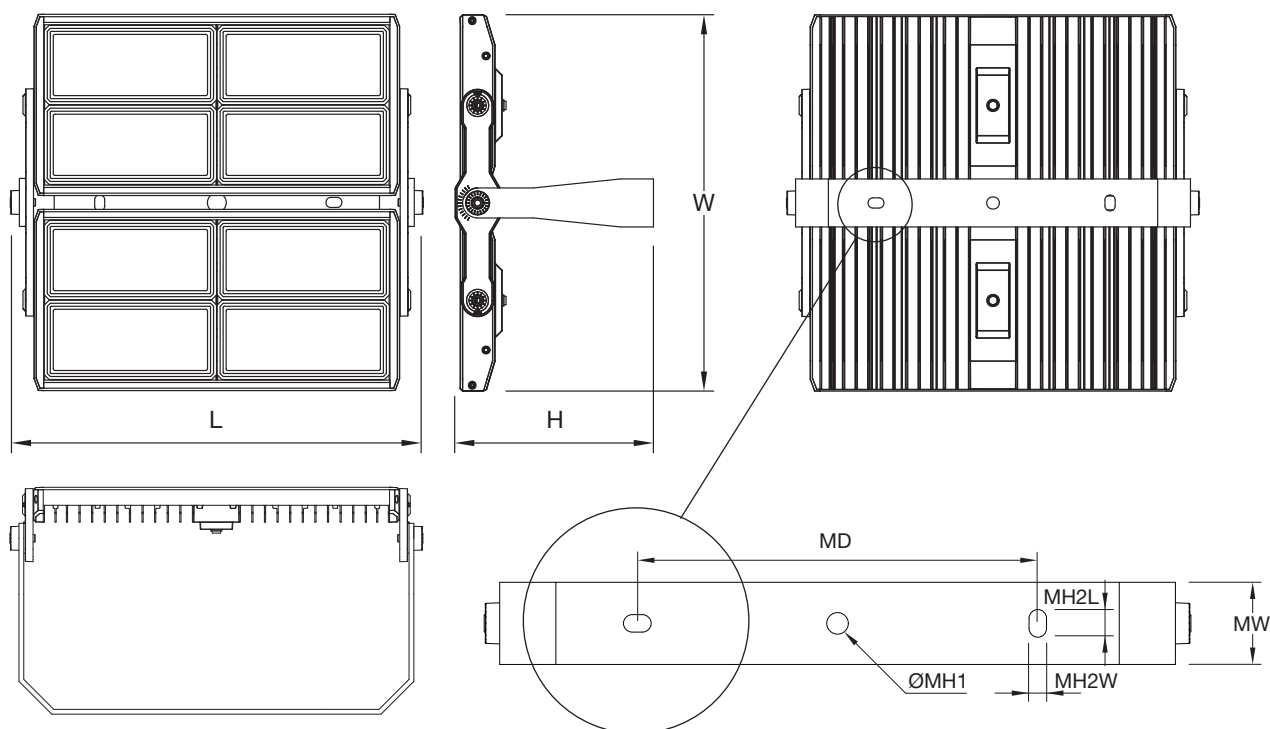
Dimensions

	330W
L	685mm
W	435mm
H	322mm
MD	390mm
MW	80mm
ØMH1	21mm
MH2L	27mm
MH2W	17mm

PURSOS® SHP LED Flood Light

Dimensions

PURSOS SHP M 650W



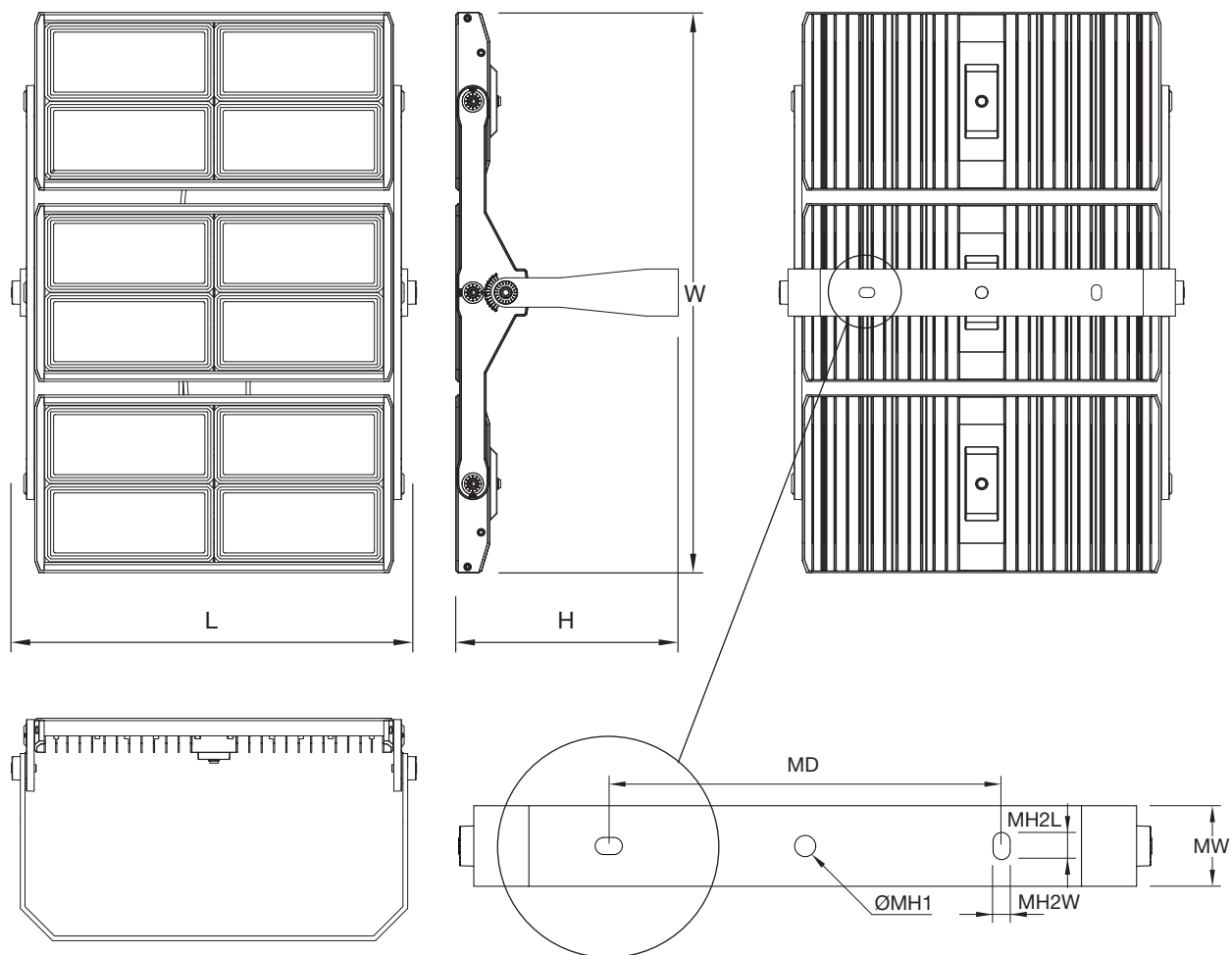
Dimensions

	650W
L	685mm
W	627mm
H	330mm
MD	390mm
MW	80mm
ØMH1	21mm
MH2L	27mm
MH2W	17mm

PURSOS® SHP LED Flood Light

Dimensions

PURSOS SHP L 960W



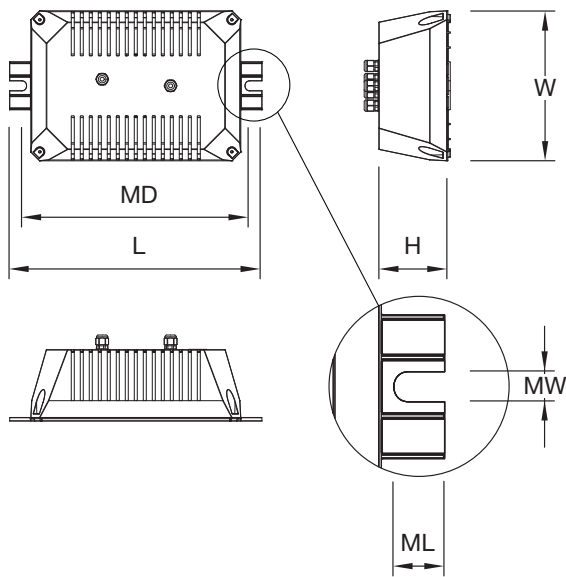
Dimensions

	960W
L	685mm
W	952mm
H	378mm
MD	390mm
MW	80mm
ØMH1	21mm
MH2L	27mm
MH2W	17mm

PURSOS® SHP LED Flood Light

Dimensions

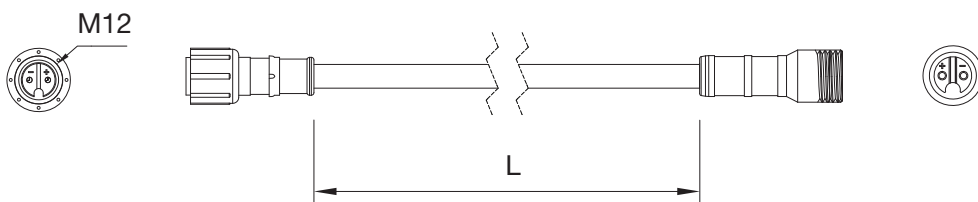
Power Supply Unit



Dimensions

	PSU
L	420mm
W	250mm
H	119mm
MD	380mm
ML	29mm
MW	17mm

Extension Cable



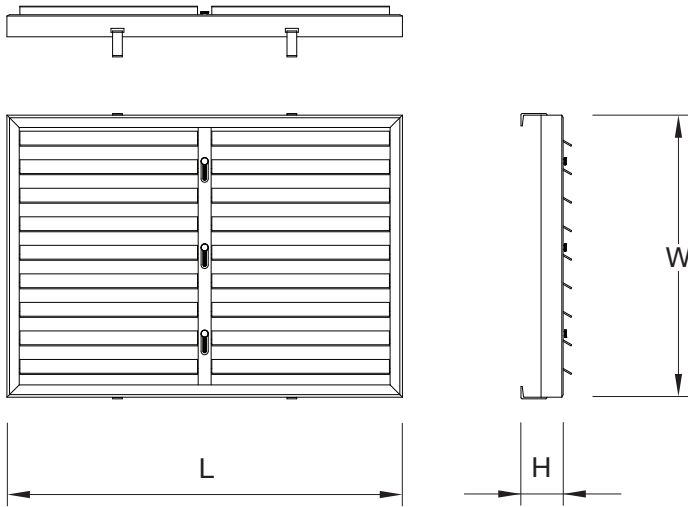
Dimensions

	5m	10m	20m
L	5m	10m	20m

PURSOS® SHP LED Flood Light

Dimensions

Louver for 330W (Separate order)

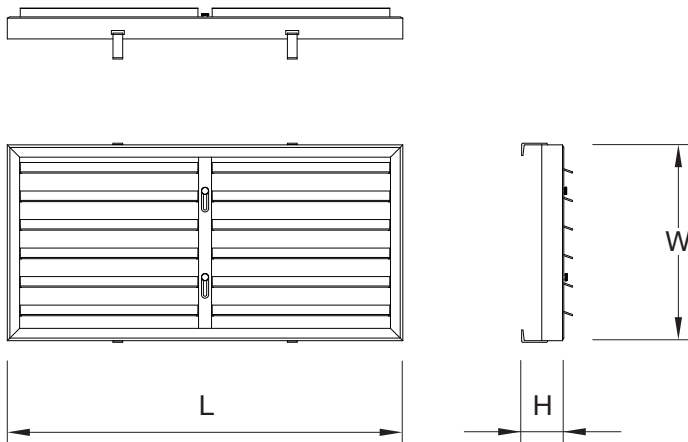


Dimensions

Louver for 330W

L	610mm
W	435mm
H	65mm

Louver for *650W / 960W (Separate order)



Dimensions

Louver for 650W / 960W

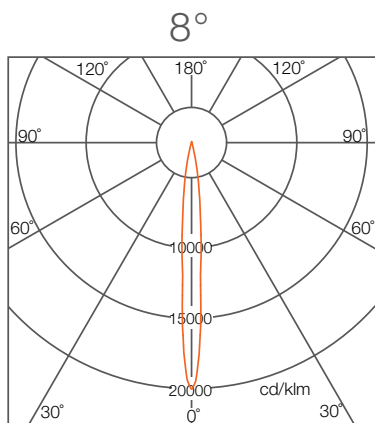
L	610mm
W	302mm
H	65mm

*650W flood light needs 2 louvers while 960W flood light needs 3 louvers.

PURSOS® SHP LED Flood Light

Photometrics

Light Distribution Curve

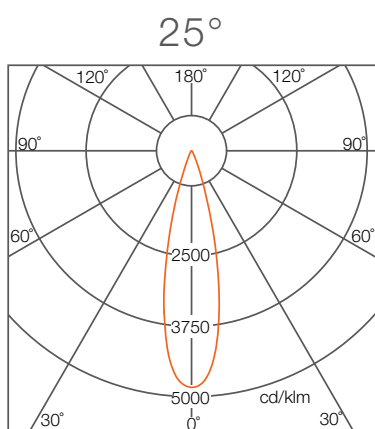


Illuminance at a distance

	Center Beam Lux/klm	Beam Width
4m	1248	0.59m
8m	312	1.17m
12m	139	1.76m
16m	78	2.35m
20m	50	2.94m

For feet multiply by 3.28

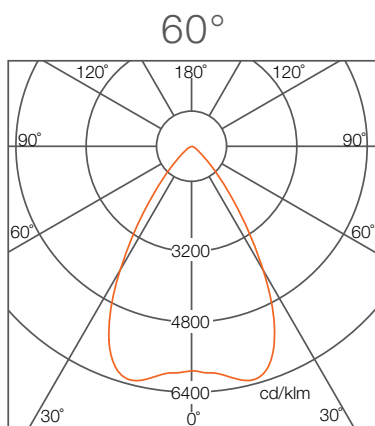
● Spread: 8.4°
For fc divide by 10.7



	Center Beam Lux/klm	Beam Width
2m	1200	0.89m
4m	300	1.79m
6m	133	2.68m
8m	75	3.58m
10m	48	4.47m
12m	33	5.36m
14m	24	6.26m
16m	19	7.15m

For feet multiply by 3.28

● Spread: 25.2°
For fc divide by 10.7



	Center Beam Lux/klm	Beam Width
2m	1471	2.51m
4m	368	5.02m
6m	163	7.53m
8m	92	10.04m
10m	59	12.55m
12m	41	15.06m
14m	30	17.56m
16m	23	20.07m

For feet multiply by 3.28

● Spread: 64.2°
For fc divide by 10.7

Due to the manufacturing processes of LED, the polar candela distribution and distance luminaries only reflect statistical figures and do not necessarily correspond to the actual parameters of individual product that may differ from the typical values.

09/16 V1.0 · Specifications are subject to change without notice. Errors and omission excepted, always make sure to use the most recent release.

©2016 OSRAM GmbH · All rights reserved · Internet www.lightingsolutions.osram.com/asia

PURSOS® SHP LED Flood Light

Ordering Codes

Fixture

Short Text	Power	Size	CCT	Beam Angle	Material	EAN40
PURSOS SHP 330W 830 UB VS1 OSRAM	330W	S	3000K	8°	AB461540055	4052899449275
PURSOS SHP 330W 840 UB VS1 OSRAM	330W	S	4000K	8°	AB461490055	4052899449220
PURSOS SHP 330W 757 UB VS1 OSRAM	330W	S	5700K	8°	AB461480055	4052899449213
PURSOS SHP 330W 830 NB VS1 OSRAM	330W	S	3000K	25°	AB461550055	4052899449282
PURSOS SHP 330W 840 NB VS1 OSRAM	330W	S	4000K	25°	AB461510055	4052899449244
PURSOS SHP 330W 757 NB VS1 OSRAM	330W	S	5700K	25°	AB461500055	4052899449237
PURSOS SHP 330W 830 MB VS1 OSRAM	330W	S	3000K	60°	AB461580055	4052899449299
PURSOS SHP 330W 840 MB VS1 OSRAM	330W	S	4000K	60°	AB461530055	4052899449268
PURSOS SHP 330W 757MB VS1 OSRAM	330W	S	5700K	60°	AB461520055	4052899449251
PURSOS SHP 650W 830 UB VS1 OSRAM	650W	M	3000K	8°	AB489620055	4052899449664
PURSOS SHP 650W 840 UB VS1 OSRAM	650W	M	4000K	8°	AB489650055	4052899449695
PURSOS SHP 650W 757 UB VS1 OSRAM	650W	M	5700K	8°	AB489680055	4052899449725
PURSOS SHP 650W 830 NB VS1 OSRAM	650W	M	3000K	25°	AB489610055	4052899449657
PURSOS SHP 650W 840 NB VS1 OSRAM	650W	M	4000K	25°	AB489640055	4052899449688
PURSOS SHP 650W 757 NB VS1 OSRAM	650W	M	5700K	25°	AB489670055	4052899449718
PURSOS SHP 650W 830 MB VS1 OSRAM	650W	M	3000K	60°	AB489600055	4052899449312
PURSOS SHP 650W 840 MB VS1 OSRAM	650W	M	4000K	60°	AB489630055	4052899449671
PURSOS SHP 650W 757 MB VS1 OSRAM	650W	M	5700K	60°	AB489660055	4052899449701
PURSOS SHP 960W 830 UB VS1 OSRAM	960W	L	3000K	8°	AB489710055	4052899449756
PURSOS SHP 960W 840 UB VS1 OSRAM	960W	L	4000K	8°	AB489740055	4052899449787
PURSOS SHP 960W 757 UB VS1 OSRAM	960W	L	5700K	8°	AB489580055	4052899449305
PURSOS SHP 960W 830 NB VS1 OSRAM	960W	L	3000K	25°	AB489700055	4052899449749
PURSOS SHP 960W 840 NB VS1 OSRAM	960W	L	4000K	25°	AB489730055	4052899449770
PURSOS SHP 960W 757 NB VS1 OSRAM	960W	L	5700K	25°	AB489760055	4052899449800
PURSOS SHP 960W 830 MB VS1 OSRAM	960W	L	3000K	60°	AB489690055	4052899449732
PURSOS SHP 960W 840 MB VS1 OSRAM	960W	L	4000K	60°	AB489720055	4052899449763
PURSOS SHP 960W 757 MB VS1 OSRAM	960W	L	5700K	60°	AB489750055	4052899449794

Accessories

Short Text	Material	EAN10	EAN40
PURSOS SHP LOUVER FOR 330W VS4 OSRAM	AM004370155	4052899467156	4052899467163
PURSOS SHP LOUVER FOR 650/960W VS6 OSRAM	AM004380055	4052899467170	4052899467187
PURSOS SHP EXT CABLE 5M VS20 OSRAM	AM004390055	4052899467194	4052899467200
PURSOS SHP EXT CABLE 10M VS10 OSRAM	AM004400055	4052899467217	4052899467224
PURSOS SHP EXT CABLE 20M VS5 OSRAM	AM004410055	4052899467231	4052899467248