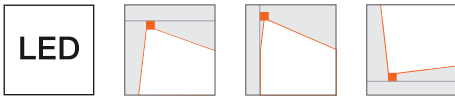


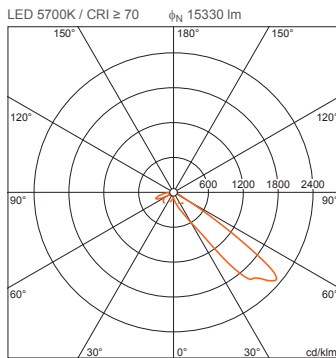
Order No. OSRAM: 4052899262188 | Order No. Siteco: 0YAA64642

Product description: PURS-M,LED,15330lm757,ECG,PC,dir,surf



PURSOS® HE M, floodlight, primary light control with lens, primary optical cover: lenses, of PC, light emission: direct distribution, primary light characteristic: asymmetric, installation type: surface-mounted, LED, rated luminous flux: 15.330 lm, luminous efficacy: 118lm/W, light colour: 757, colour temperature: 5700K, control gear: ECG, control: overheat protection, with cable, 3x 1.5mm², mains connection: 110..277V, AC, 50/60Hz, connection cable pre-assembled, cable length: 0,5 m, rated input power: 130W, housing, angular, of diecast aluminium, coated, grey, length: 395 mm, width: 384 mm, height: 62mm, mounting bracket, of steel, galvanised, coated, grey, protection rating (complete): IP66, insulation class (complete): insulation class I (protective earthing), certification: CE, impact resistance: IK09, permissible ambient temperature for outdoor applications: ≤ +45°C, packaging unit: 1 piece

4052899262188
0YAA64642



IP 66 IK 09

Lamps:	LED
Wt. (kg):	7.5
GTIN (EAN):	4052899262188

OSRAM 0YAA64642

The luminaire contains built-in LED lamps

A++ } **LED**

A+ }

A }

B }

C }

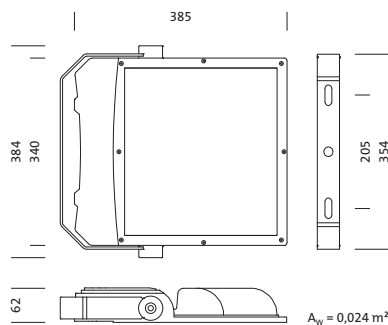
D }

E }

F }

The LED-lamps cannot be changed in the luminaire

874/2012



Order No. OSRAM: 4052899262188 | Order No. Siteco: 0YAA64642

Detailed technical description: PURS-M,LED,15330lm757,ECG,PC,dir,surf



Key data

- Product type: floodlight
- Family: PURSOS® HE M
- Order No.: 0YAA64642

Lighting technology | Lamps | Control gear

Component 1

Lighting technology:

- Light control: lens
- Cover: lenses
- Beam angle: 130° x 20°
- Symmetry: asymmetric distribution
- Light emission: direct distribution

Lamps:

- Lamps: with LED
- Rated luminous flux: 15330lm
- Luminous efficacy: 118lm/W
- Colour temperature: 5700K
- Light colour: 757
- Rated input power: 130W
- Supplement: ON/OFF

Operating device:

- Control gear: ECG
- Control: ON/OFF
- Equipment: overheat protection

Material | Colour

- housing: diecast aluminium, coated, grey, angular
- Quantity: 1 piece
- mounting bracket: steel, galvanised, coated, grey
- Cover: lenses of PC

Mounting

- Mounting method, mounting location: surface-mounted, to supporting structure, to the cross arm, to the wall
- Arrangement: single arrangement
- Supplement: with mounting bracket

Electrical connection

- Connection: cable, 3x 1.5mm²
- Nominal voltage: 110..277V, AC, 50/60Hz
- Surge voltage resistance: 6kV 1.2/50µs

Dimensions | Weight

- Length: 395mm
- Width: 384mm
- Height: 62mm
- Weight: 7.5kg

Certificates | Standards

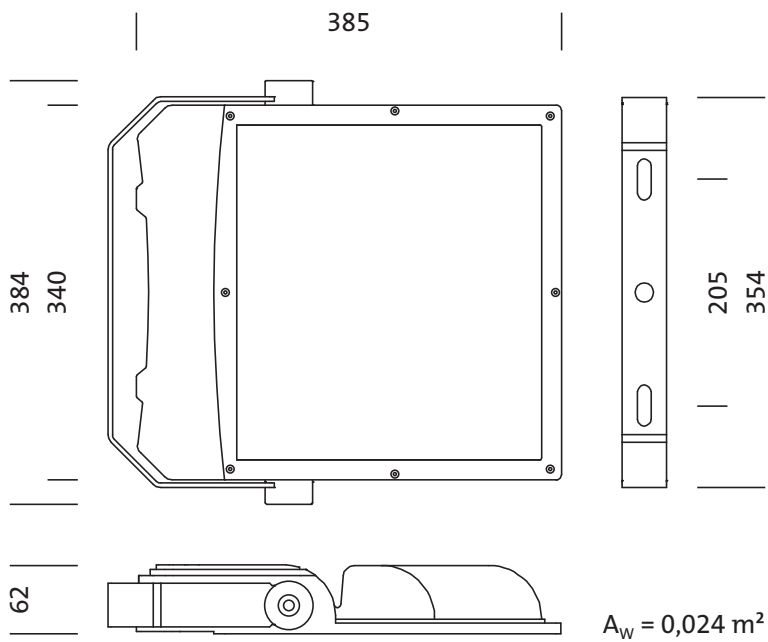
- Protection rating: IP66
- Insulation class: insulation class I (protective earthing)
- Impact resistance: IK09
- Certification, designation: CE

Service life

- Rated life: 50000h (L70/B50) at AT = 25°C

Order No. OSRAM: 4052899262188 | Order No. Siteco: 0YAA64642

Dimensions: PURS-M,LED,15330lm757,ECG,PC,dir,surf



Order No. OSRAM: 4052899262188 | Order No. Siteco: 0YAA64642

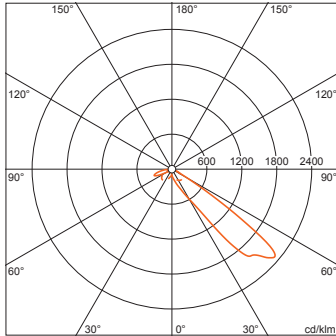
Planning data: PURS-M,LED,15330lm757,ECG,PC,dir,surf

0YAA64642: 1x LED 5700K / CRI ≥ 70

4052899262188

0YAA64642

LED 5700K / CRI ≥ 70 ϕ_N 15330 lm



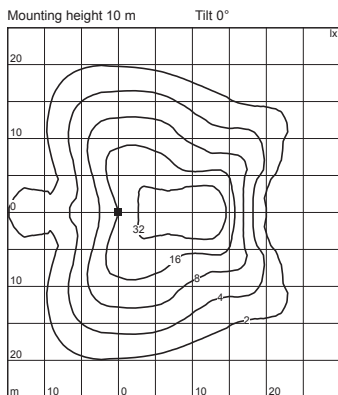
ϕ_{\downarrow} 100% ϕ_{\uparrow} 0%

Luminance values (cd/m²)

	C 0/180	C 90/270
L ₈₀	24975	4636
L ₇₀	30288	34275
L ₆₅	50995	53774

UGR 36.2 29.1

X 4H Y 8H ρ 70/50/20 S 0.25H



No. of luminaires in room

Reflection factors 70/50/20

Em(x)	100		200		500	
	Lh(m)	2.5	3.0	2.5	3.0	2.5
20 m ²	0.2	0.3	0.4	0.6	1.1	1.4
30 m ²	0.3	0.4	0.7	0.7	1.7	1.9
40 m ²	0.4	0.5	0.8	0.9	2.1	2.3
50 m ²	0.5	0.6	1.0	1.1	2.6	2.8
75 m ²	0.7	0.8	1.4	1.5	3.6	3.8
100 m ²	0.9	1.0	1.8	1.9	4.6	4.9
500 m ²	4.1	4.1	8.1	8.2	20	20

Maintenance factor 0.8

Rh = Lh