

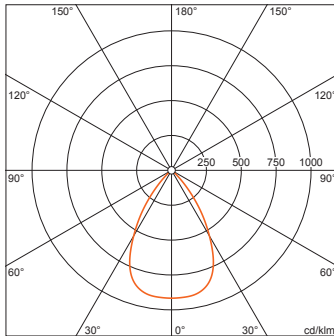
Order No. OSRAM: 4058352143360 | Order No. Siteco: 5NX32171B0H

Product description: CpHiBay,S,rot.sym 60°,15000lm840,0/1



Compact High Bay, LED high bay luminaire, primary light control with lens, primary optical cover: cover panel, of PC, transparent, light emission: direct distribution, primary light characteristic: rotationally symmetric, installation type: surface-mounted, suspended mounting, LED, rated luminous flux: 15.000 lm, luminous efficacy: 130lm/W, light colour: 840, colour temperature: 4000K, control gear: ECG, with cable, 3x 1.0mm², free wire ends, mains connection: 220..240V, AC, 50..60Hz, cable length: 1,5 m, rated input power: 115W, housing, rotationally symmetric, of diecast aluminium, powder-coated, metallic grey, diameter: 299 mm, height: 138mm, protection rating (complete): IP65, insulation class (complete): insulation class I (protective earthing), certification: CE, protection symbol: D, impact resistance: IK08, permissible ambient temperature for indoor applications: -30..+50°C, photobiological safety, risk class 0, corresponds to IFS (International Featured Standards) requirements for safety and quality in the food industry, packaging unit: 1 piece

4058352143360
5NX32171B0H
LED 4000K / CRI ≥ 80 Φ_h 15000 lm



Lamps: LED
Wt. (kg): 3.3
GTIN (EAN): 4058352143360

siteco AN OSRAM BUSINESS 5NX32171B0H

The luminaire contains built-in LED lamps

A++

A+

A

B

C

D

E

} LED

X

The LED-lamps cannot be changed in the luminaire

874/2012

Issued 14.08.2018 - Modifications and errors subject to change - Ensure that you always use the latest version -

OSRAM GmbH • Marcel-Breuer-Strasse 6 • 80807 Munich, Germany • Tel +49(89)6213-0 • Fax +49(89)6213-2020 • Internet www.osram.com

Order No. OSRAM: 4058352143360 | Order No. Siteco: 5NX32171B0H

Detailed technical description: CpHiBay,S,rot.sym 60°,15000lm840,0/1



Key data

- Product type: LED high bay luminaire
- Family: Compact High Bay S
- Order No.: 5NX32171B0H

Lighting technology | Lamps | Control gear

Component 1

Lighting technology:

- Light control: lens
- Cover: cover panel, transparent
- Beam angle: 60°
- Symmetry: rotationally symmetric
- Light emission: direct distribution
- UGR viewing direction along longitudinal luminaire axis: ≤ 25
- UGR viewing direction along lateral luminaire axis: ≤ 25

Lamps:

- Lamps: with LED
- Rated luminous flux: 15000lm
- Luminous efficacy: 130lm/W
- Colour temperature: 4000K
- Light colour: 840
- Rated input power: 115W

Operating device:

- Control gear: ECG
- Control: ON/OFF

Material | Colour

- housing: diecast aluminium, powder-coated, metallic grey, rotationally symmetric
- Quantity: 1 piece
- Cover: cover panel of PC

Mounting

- Mounting method, mounting location: suspended mounting, surface-mounted, to the ceiling, to the wall, to the chain
- Mounting height: 8..20m
- Arrangement: single arrangement
- Supplement: required mounting accessories must be ordered separately, with pre-assembled screw hook and carabena

Electrical connection

- Connection: cable, 3x 1.0mm², free wire ends
- Nominal voltage: 220..240V, AC, 50..60Hz

Dimensions | Weight

- Diameter: 299mm
- Height: 138mm
- Weight: 3.3kg

Certificates | Standards

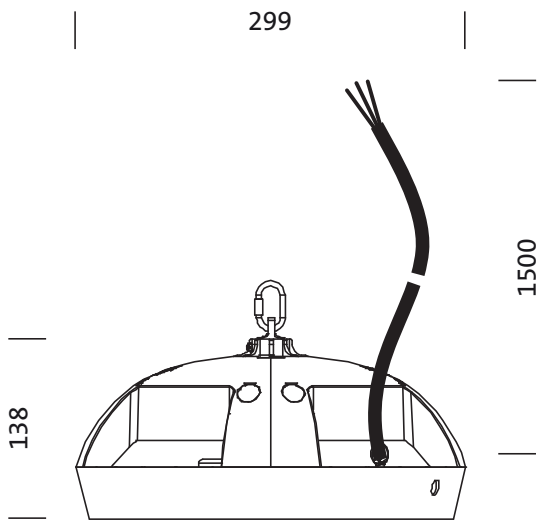
- Protection rating: IP65
- Insulation class: insulation class I (protective earthing)
- Impact resistance: IK08
- Protection symbol: D
- Permissible ambient temperature: -30..+50°C
- Supplement: corresponds to IFS (International Featured Standards) requirements for safety and quality in the food industry, photobiological safety, risk class 0
- Certification, designation: CE

Service life

- Rated life: 50000h (L80/B50) at AT = 25°C, 50000h (L70/B50) at AT = 35°C

Order No. OSRAM: 4058352143360 | Order No. Siteco: 5NX32171B0H

Dimensions: CpHiBay,S,rot.sym 60°,15000lm840,0/1

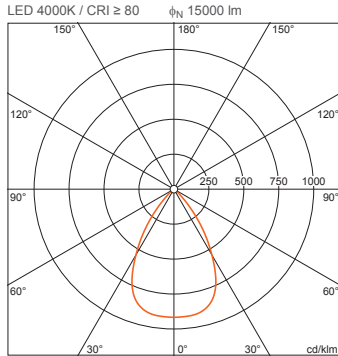


Order No. OSRAM: 4058352143360 | Order No. Siteco: 5NX32171B0H

Planning data: CpHiBay,S,rot.sym 60°,15000lm840,0/1

5NX32171B0H: 1x LED 4000K / CRI ≥ 80

4058352143360
5NX32171B0H



ϕ_{\downarrow} 100% ϕ_{\uparrow} 0%

Luminance values (cd/m²)

	C 0/180	C 90/270
L ₈₀	9696	9696
L ₇₀	14412	14412
L ₆₅	15774	15774

UGR 24 24
X 4H Y 8H ρ 70/50/20 S 0.25H

H(m)	ϕ (m)	E _{max} (lx)	E _m (lx)
4	5.12	859	631
6	7.67	382	281
8	10.23	215	158
10	12.79	137	101
12	15.35	95	70

No. of luminaires in room

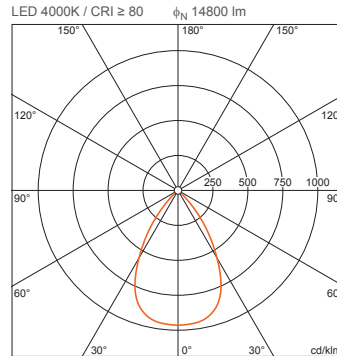
Reflection factors 70/50/20	100		200		500	
	Lh(m)	6.0	8.0	6.0	8.0	6.0
200 m ²	1.8	2.0	3.7	4.1	9.2	10
300 m ²	2.6	2.9	5.3	5.7	13	14
500 m ²	4.2	4.5	8.4	8.9	21	22
750 m ²	6.1	6.4	12	13	31	32
1000 m ²	8.0	8.4	16	17	40	42
1500 m ²	12	12	24	24	59	61
2000 m ²	15	16	31	32	77	80

Maintenance factor 0.8

Rh = Lh

5NX32171B0H + 5NX3000RAH: 1x LED 4000K / CRI ≥ 80

4058352143360 + 4058352143315
5NX32171B0H + 5NX3000RAH



ϕ_{\downarrow} 100% ϕ_{\uparrow} 0%

Luminance values (cd/m²)

	C 0/180	C 90/270
L ₈₀	0	0
L ₇₀	0	0
L ₆₅	0	0

UGR 16.7 16.7
X 4H Y 8H ρ 70/50/20 S 0.25H

H(m)	ϕ (m)	E _{max} (lx)	E _m (lx)
4	5.06	892	652
6	7.59	396	290
8	10.11	223	163
10	12.64	143	104
12	15.17	99	72

No. of luminaires in room

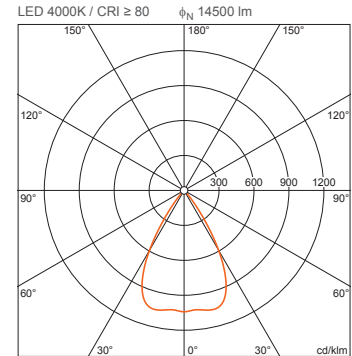
Reflection factors 70/50/20	100		200		500	
	Lh(m)	6.0	8.0	6.0	8.0	6.0
200 m ²	1.8	2.0	3.7	4.0	9.2	10
300 m ²	2.6	2.8	5.3	5.7	13	14
500 m ²	4.2	4.5	8.4	8.9	21	22
750 m ²	6.2	6.5	12	13	31	32
1000 m ²	8.1	8.4	16	17	40	42
1500 m ²	12	12	24	25	59	61
2000 m ²	16	16	31	32	78	81

Maintenance factor 0.8

Rh = Lh

5NX32171B0H + 5NX3000RPH: 1x LED 4000K / CRI ≥ 80

4058352143360 + 4058352143292
5NX32171B0H + 5NX3000RPH



ϕ_{\downarrow} 99% ϕ_{\uparrow} 1%

Luminance values (cd/m²)

	C 0/180	C 90/270
L ₈₀	51	51
L ₇₀	86	86
L ₆₅	98	98

UGR 11.5 11.5
X 4H Y 8H ρ 70/50/20 S 0.25H

H(m)	ϕ (m)	E _{max} (lx)	E _m (lx)
4	4.84	944	730
6	7.27	420	324
8	9.69	236	182
10	12.11	151	117
12	14.53	105	81

No. of luminaires in room

Reflection factors 70/50/20	100		200		500	
	Lh(m)	6.0	8.0	6.0	8.0	6.0
200 m ²	1.9	2.0	3.7	4.1	9.3	10
300 m ²	2.7	2.9	5.4	5.8	13	14
500 m ²	4.3	4.6	8.6	9.1	22	23
750 m ²	6.3	6.6	13	13	32	33
1000 m ²	8.3	8.6	17	17	41	43
1500 m ²	12	13	24	25	61	63
2000 m ²	16	17	32	33	80	83

Maintenance factor 0.8

Rh = Lh